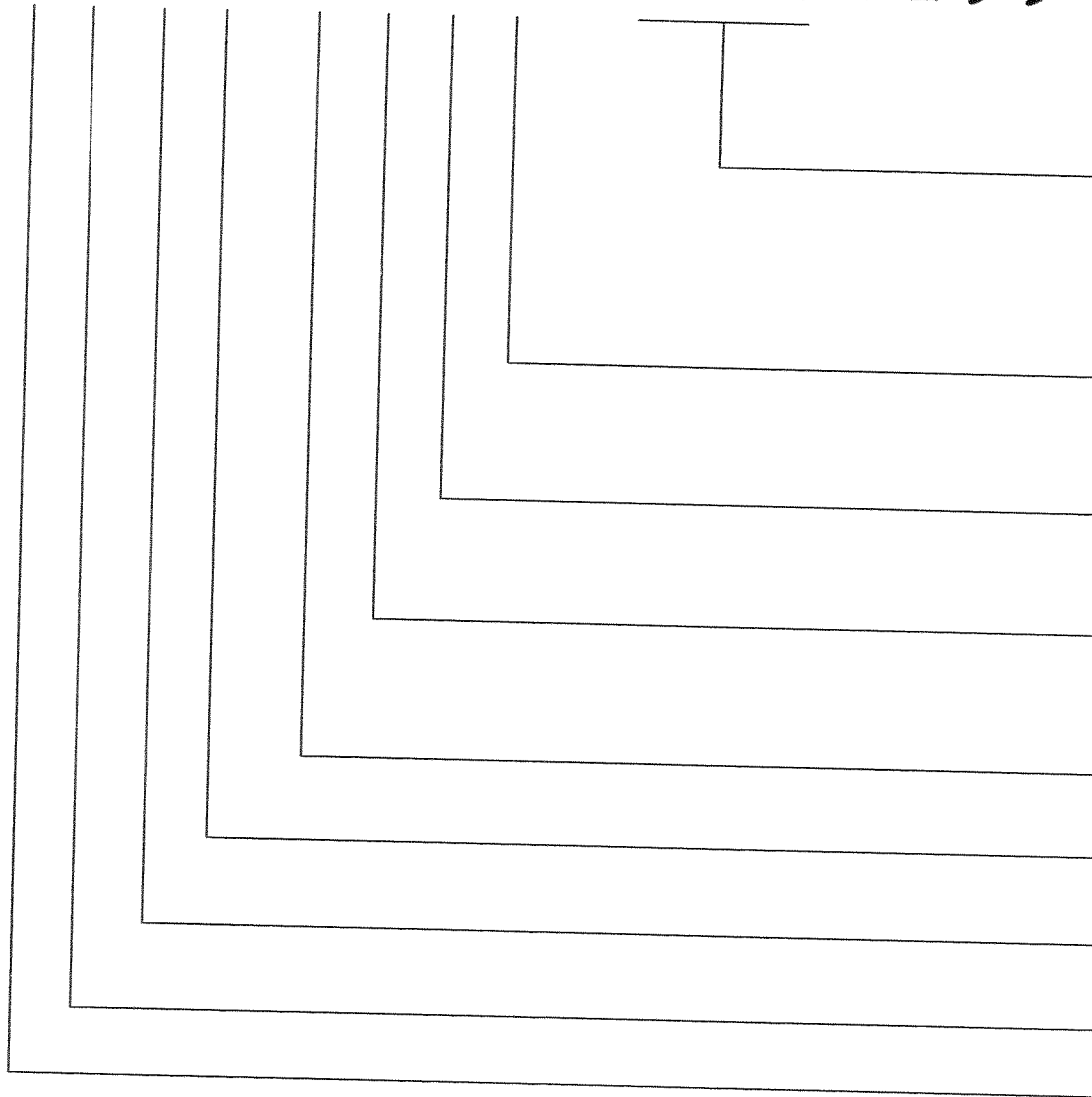


XXXX XXXX 3XXX C299



035 : type 35
045 : type 45
065 : type 65
085 : type 85
100 : type 100
120 : type 120

0 : KM
1 : KM + KKM
2 : KM + E6
3 : KM + BME

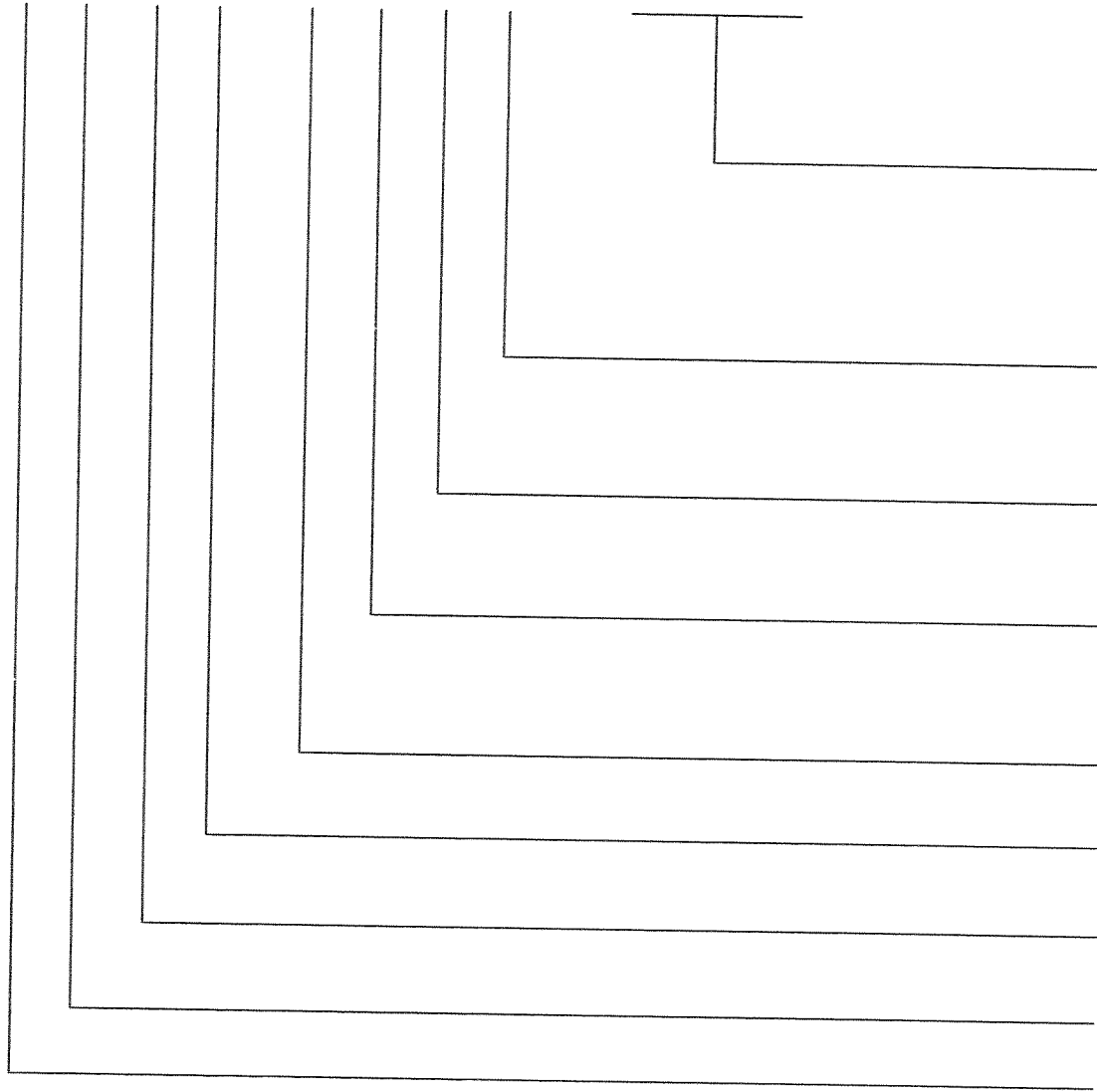
0 : meetpunt
1 : minimum gasdrukschakelaar

2 : blauwe uitvoering (RAL 5011)
3 : groene uitvoering (Pantone 355)
8 : korenblauw (RAL 5002)
9 : blauw (schuif Pantone 8763)/wit bedienpaneel (RAL 9003)

0 : geen scheidingstrafo
1 : scheidingstrafo

--
1 : aardgas
2 : propaan--
--
--

XXXX XXXX 3XXX C299



035 : type 35
 045 : type 45
 065 : type 65
 085 : type 85
 100 : type 100
 120 : type 120

0 : KM
 1 : KM + KKM
 2 : KM + E6
 3 : KM + BME

0 : measuring point
 1 : minimum gas pressure switch

2 : blue version (RAL 5011)
 3 : green version (Pantone 355)
 8 : cornflower blue version (RAL 5002)
 9 : blue (Pantone 8763)/white operator panel (RAL 9003)

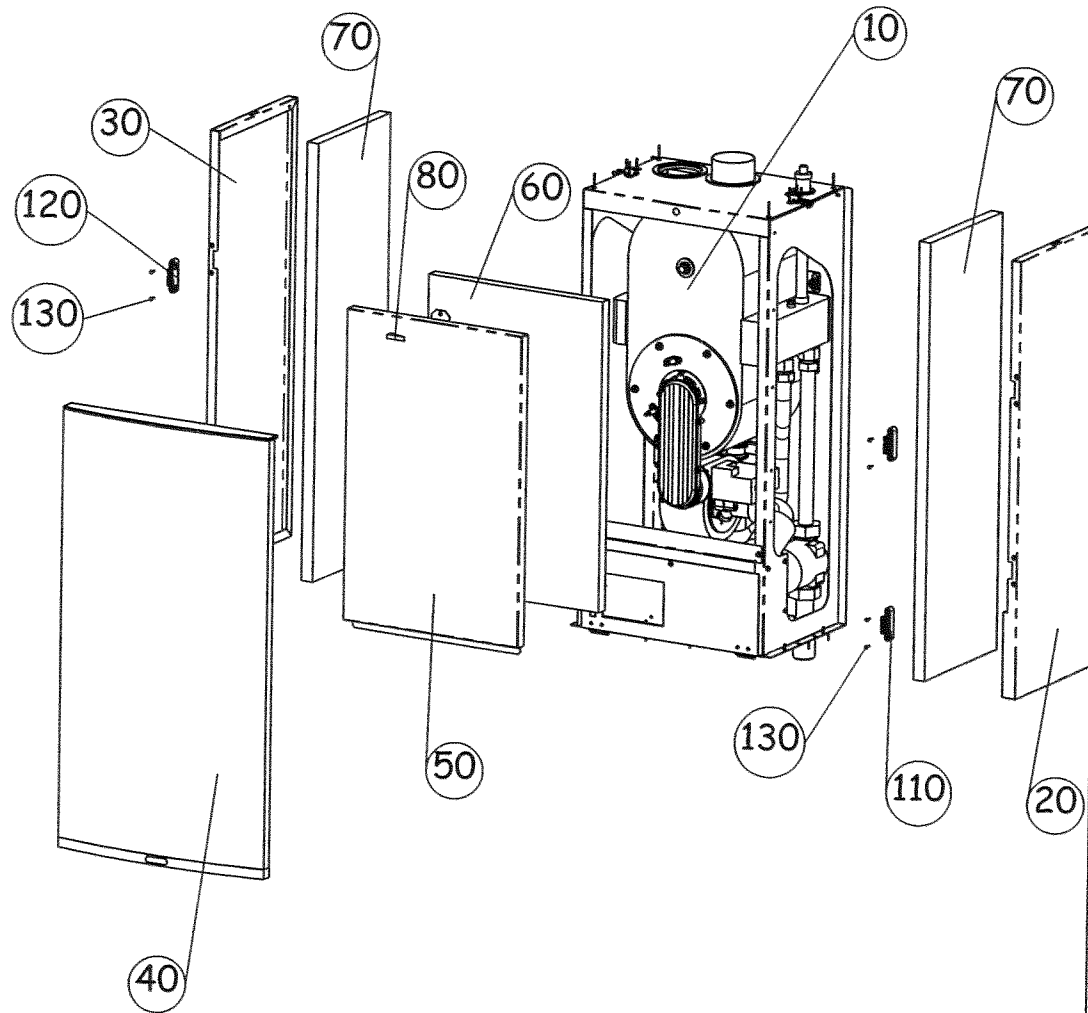
0 : no separation transformer
 1 : separation transformer

--

1 : natural gas
 2 : propane--

--

--

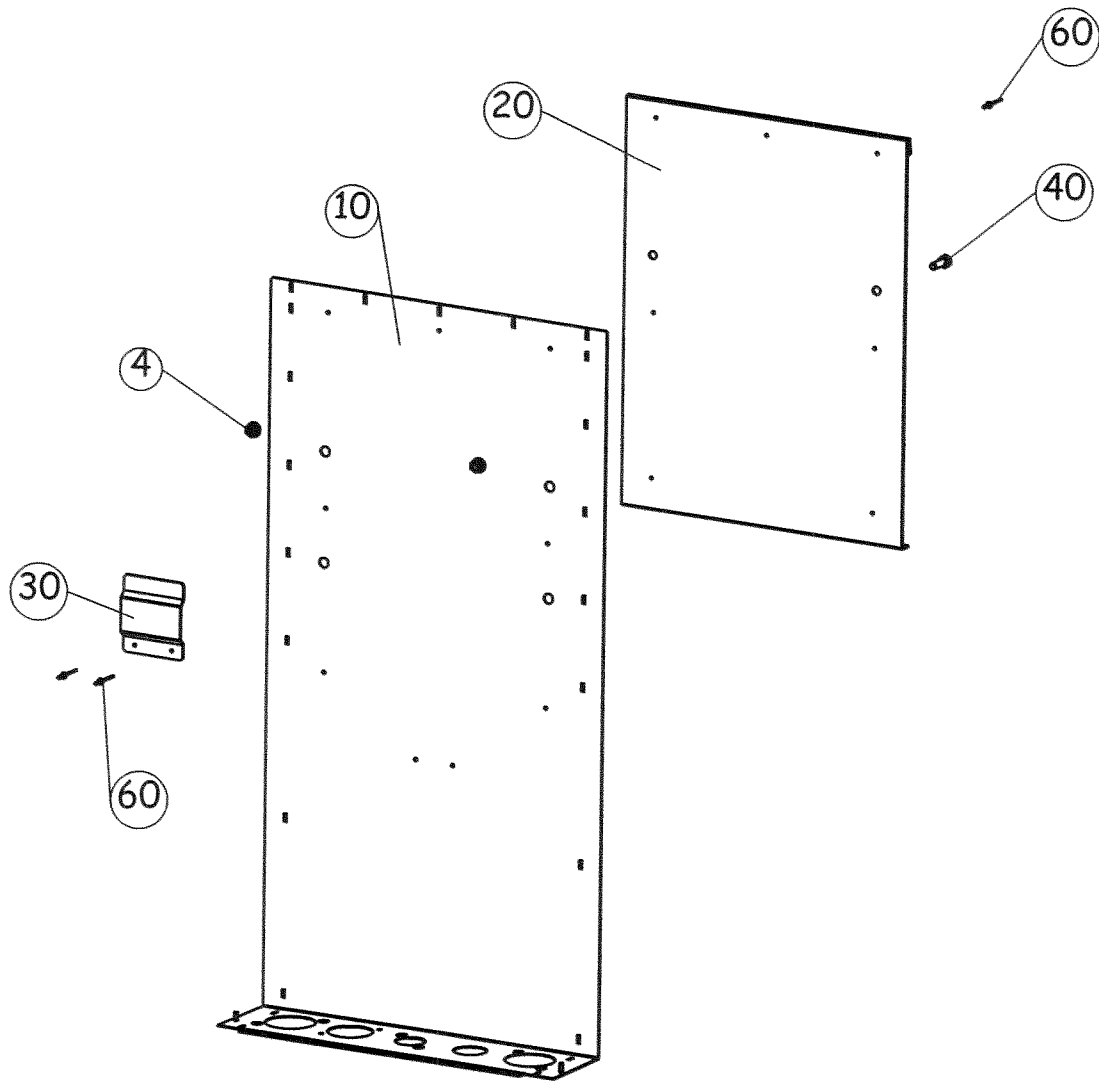


Pos	Qty.	Art.nr.	Rev.	Type	Name	Dimension
10	1	XXXX XXXX 3XXX S297	B		Frame bottom side	
20	1	3045P201	-	35, 45	Casing right side	
20	1	3065P201	-	65	Casing right side	
20	1	3085P201	-	85	Casing right side	
20	1	3100P201	-	100	Casing right side	
20	1	3120P201	-	120	Casing right side	
30	1	3045P202	-	35, 45	Casing left side	
30	1	3065P202	-	65	Casing left side	
30	1	3085P202	-	85	Casing left side	
30	1	3100P202	-	100	Casing left side	
30	1	3120P202	-	120	Casing left side	
40	1	XXXX XXXX 3XXX C198	B		Sliding panel	
50	1	3000S227	-		Cover front	
60	1	GIL150			Thermal insulation	
70	2	GIL151		35, 45	Thermal insulation	
70	2	GIL152		65	Thermal insulation	
70	2	GIL153		85	Thermal insulation	
70	2	GIL154		100	Thermal insulation	
70	2	GIL155		120	Thermal insulation	
80	1	BKS100			Swell latch	
110	2	BSS106			conductor sliding	
120	2	BSS110			conductor locking	
130	8	BZR075			Screw 4x14	

Schaal: 1:12	Dat: 14-03-06
Proj.	Get: M.E.
	Gec:
JL B 21-07-06	
JL A 14-07-06	
Get. Rev. Gewijzigd	

Boiler complete			Formaat
Type 35-120			A3
Serie R30			Revisie
Tekening 1 van 1			B
XXXX	XXXX	3XXX	C299

Revisie B | S297 rev. changed to B



Pos	Qty.	Art.nr.	Rev.	Type	Name	Dimension
10	1	3000S2C1	-		Rear casing	
20	1	3000S107	A	35-85	Mounting bracket	
20	1	3100S107	-	100, 120	Mounting bracket	
30	1	3000S113	-		Filling bracket	
40	2	BBT040		35-85	Bolt M8x25	
40	4	BBT040		100, 120	Bolt M8x25	
50	2	BMV005		35-85	Nut M8	
50	4	BMV005		100, 120	Nut M8	
60	9	BPS001			Blind rivet	

Scale: 1:1	Date 06-02-06
Proj.	Drawn by: M.E.
	Check by: M.E.
2 JLR 31-07-06	
Drwn. Rev. Date	

Frame
Type 35-120
Series R30
Formaat **A3**

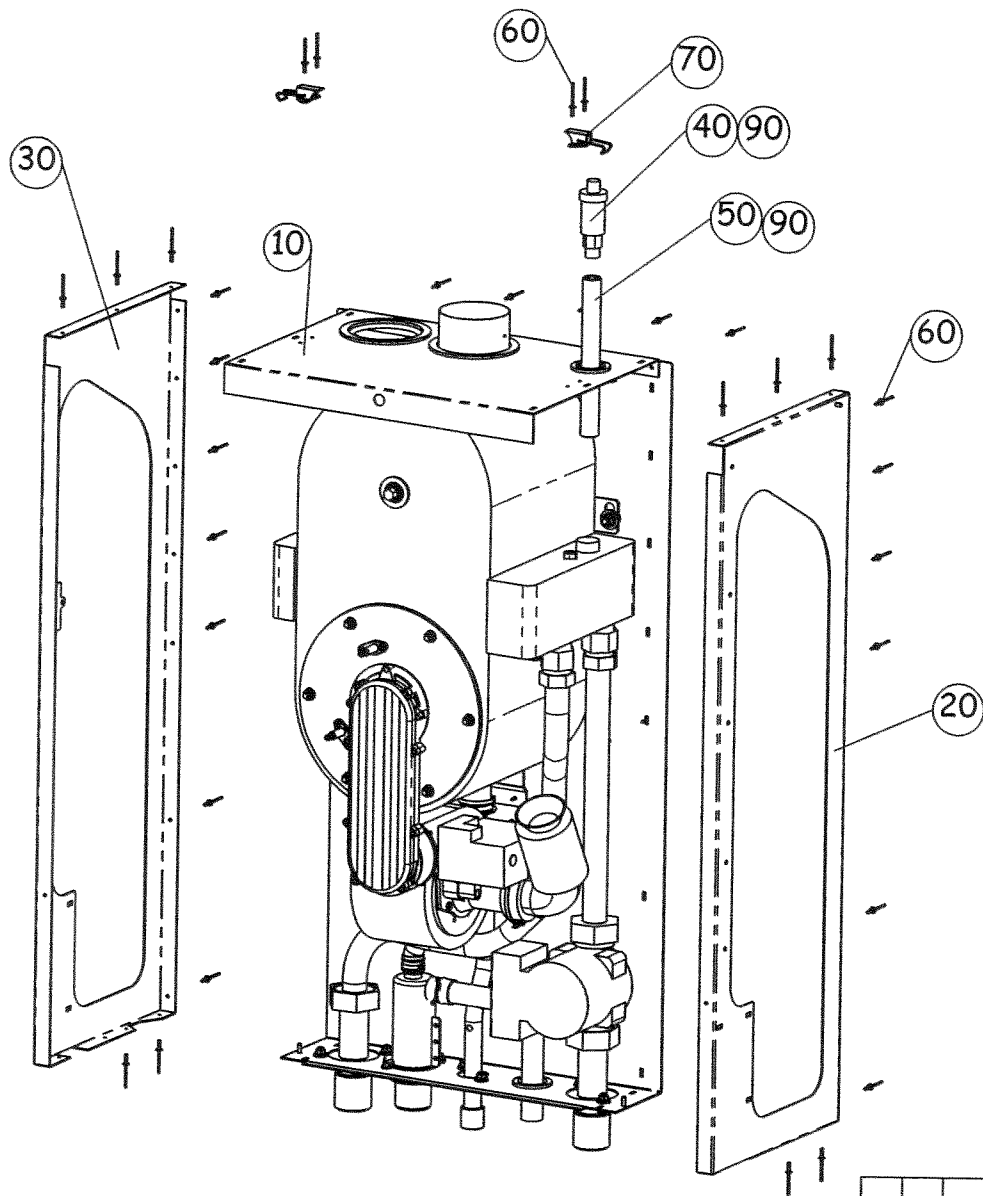
Drawing 1 van 1

Revision **2**

XXXX XXXX 3XXX S299

Revision 2 POS 50 BMV030 changed to BMV005

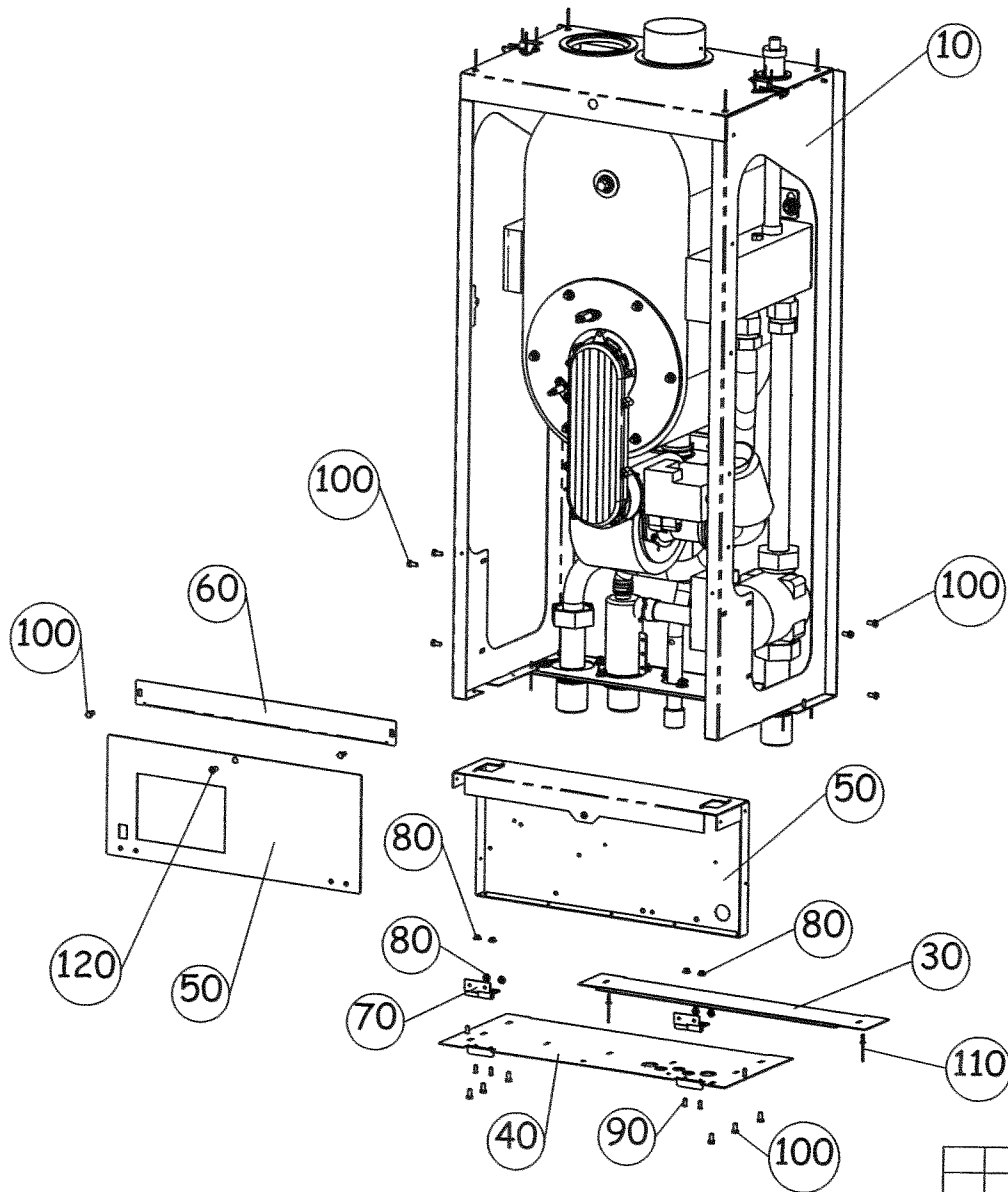




Pos	Qty.	Art.nr.	Rev.	Type	Name	Dimension
10	1	XXXX XXXX 3XXX L299	B			
20	1	3045S2A1	-	35, 45	Support right	
20	1	3065S2A1	-	65	Support right	
20	1	3085S2A1	-	85	Support right	
20	1	3100S2A1	-	100	Support right	
20	1	3120S2A1	-	120	Support right	
30	1	3045S2B1	-	35, 45	Support left	
30	1	3065S2B1	-	65	Support left	
30	1	3085S2B1	-	85	Support left	
30	1	3100S2B1	-	100	Support left	
30	1	3120S2B1	-	120	Support left	
40	1	CBV010			Venting device	
50	1	3000L108	B		Air vent tube	
60	33	BPS001		35-65	Blind rivet	
60	35	BPS001		85, 100	Blind rivet	
60	37	BPS001		120	Blind rivet	
70	2	BKS090			Fastener	
90	1	VLS050			Permabond	

Schaal: 1:1		Dat: 16-03-03		Frame left/right Type 35-120		Serie R30		Formaat A3	
Proj.		Get: M.E.				Tekening 1 van 1		Revisie B	
JL B	21-07-06			XXXX XXXX 3XXXS298					
JL A	14-07-06								
Get.	Rev.	Gewijzigd							

Revisie B | L299 rev. changed to B

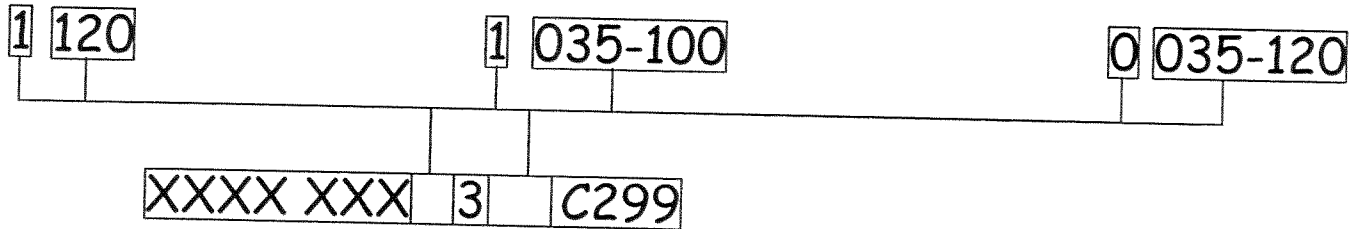
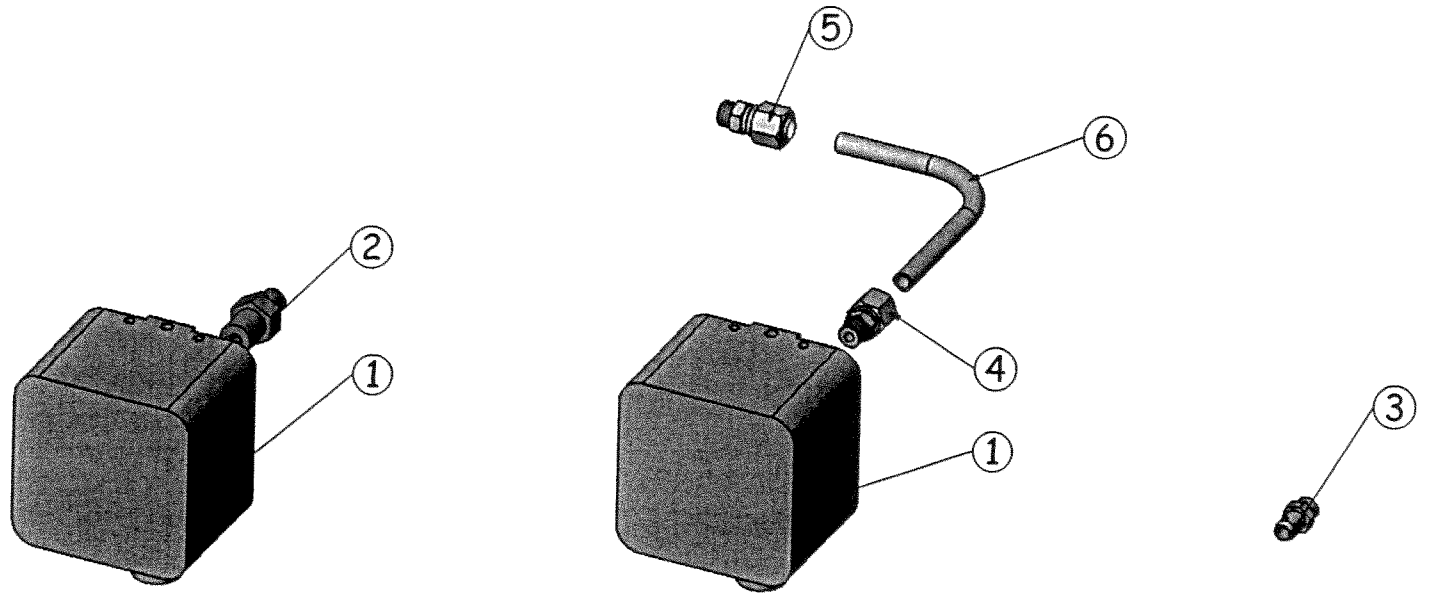


Pos	Qty.	Art.nr.	Rev.	Type	Name	Dimension
10	1	XXXX XXXX 3XXX S298	B		Frame left/right	
20						
30	1	3065S220	-	65	Cover bottom side	
30	1	3085S220	-	85	Cover bottom side	
30	1	3100S220	-	100	Cover bottom side	
30	1	3120S220	-	120	Cover bottom side	
40	1	3000S2D1	-		Bottom casing front	
50	1	XXXX XXXX 3XXX E299	-		Assembly electric	
60	1	3000S225	-		Bottom cover front	
70	2	GPV130			Hinge	
80	8	BMV009			Nut M4 galv,	
90	4	BBI071			Screw M4	
100	13	BZR080			Screw ST 4.8x9.5	
110	5	BPS001		35, 45	Blind rivet	
110	7	BPS001		65	Blind rivet	
110	9	BPS001		85, 100	Blind rivet	
110	11	BPS001		120	Blind rivet	
120	1	BBI070			Screw M6x10	

Schaal: 1:1		Dat: 16-03-06		Frame bottom side		Formaat	
Proj.		Get: M.E.		Type 35-120		A3	
Gec:				Serie R30		Revisie	
JL B 21-07-06				Tekening 1 van 1			
JL A 14-07-06							
Get. Rev. Gewijzigd							
				XXXX XXXX 3XXX S297		B	

Revisie B | S298 rev. changed to B

Pos	Qty.	Art.nr.	Rev.	Type	Name	Dimension
1	1	RSD020			Pressure switch gas 1/4"	
2	1	FNS200			Reduce nippel 1/4"-1/8"	
3	1	RKD001			Pressure point 1/8"	
4	1	FKM080			connection 1/4"-8	
5	1	FKM095			Connectin 1/8"-8	
6	1	3000G104			Tube pressure switch	



Revision

Drwt	Rev.	Date

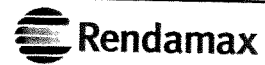
Scale: 1:2



Date: 23-03-06

Drawn by: M.E.

Check by:



Pressure switch or pressure tap point
Type 35-120

Series R30

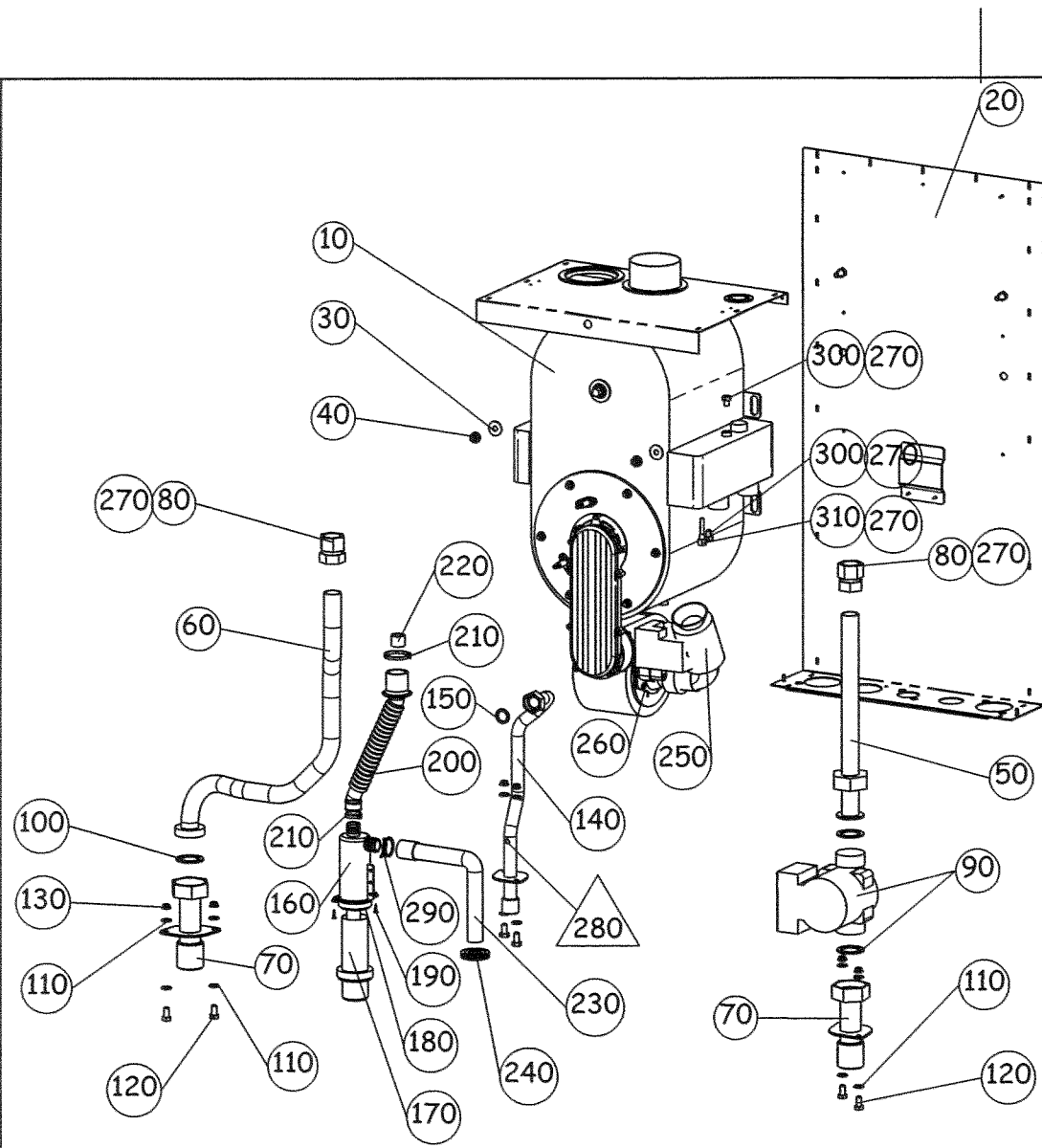
Drawing 1 van 1

XXXX XXXX 3XXX S294

Formaat

A3

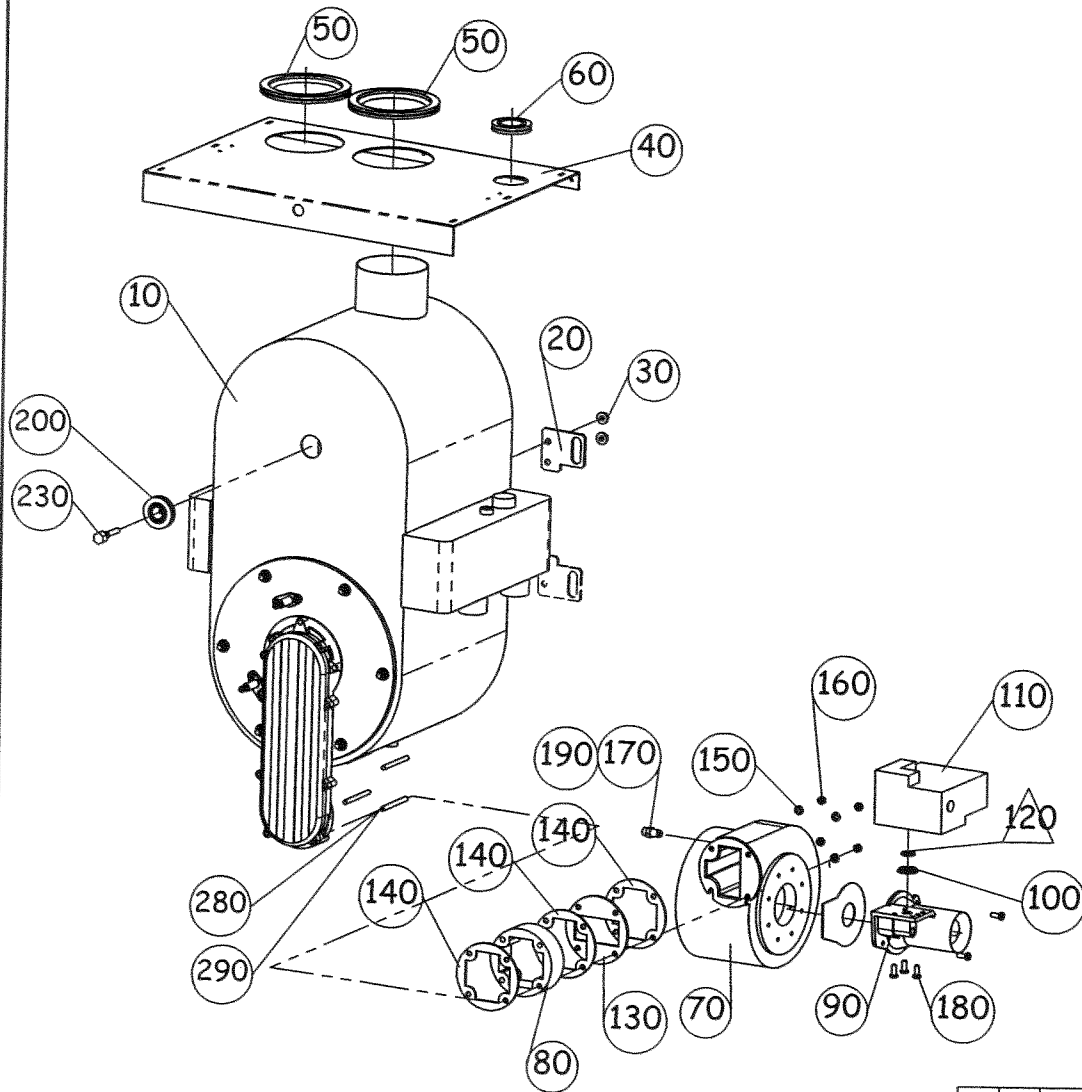
Revision



Pos	Qty.	Art.nr.	Rev.	Type	Name	Dimension
10	1	XXXX XXXX 3XXX V299	A		fan assembly	
20	1	XXXX XXXX 3XXX S299	2		frame	
30	2	BRV051		35-85	washer	
30	4	BRV051		100, 120	washer	
40	2	BMV030		35-85	nut M8	
40	4	BMV030		100, 120	nut M8	
50	1	3045L1A1	B	35-85	tube pump assembly	
50	1	3100L1A1	A	100, 120	tube pump assembly	
60	1	3045L1D1	B	35-85	tube flow assembly	
60	1	3100L1D1	A	100-120	tube flow assembly	
70	2	3045L1B1	C		connection part	
80	2	FKM250			connection 1"-28	
90	1	RPI460		35, 45	pump 25/6-3 230V 130mm PWM/3C	
90	1	RPI465		65, 85	Pump 25/7-3 230V 130mm PWM/3C	
90	1	ARP102		100, 120	gasket	
100	1	ARP102			gasket	
110	12	BRV003			washer 16x8,5 s=1,5	
120	6	BBT008			bolt M6x20	
130	6	BMV025			nut M6	
140	1	3045G1A1	B	35, 45	tube gas assembly	
140	1	3065G1A1	B	65	tube gas assembly	
140	1	3085G1A1	B	85	tube gas assembly	
140	1	3100G1A1	A	100	tube gas assembly	
140	1	3120G1A1	A	120	tube gas assembly	
150	1	ARP505			gasket	
160	1	DWS016			syphon mainbody	
170	1	DWS021			syphon bulb	
180	1	DWS035			syphon o-ring	
190	2	BZR075			screw 4x14	
200	1	DWS030			tube heatexch.-syphon	
210	2	EBB001			tie wrap	
220	1	GIL056			filling tube	
230	1	DWS025			drain pipe	
240	1	DWS040			pipe outlet seal 40	
250	1	GIL200		35-65	noice reducer	
250	1	DSN010		85	flex hose L=0,5m	
260	1	EBB001		35-85	tie wrap	
270	1	VL5050			Thread seal	
280	1	XXXX XXXX 3XXX S294			pressure switch/pressure point	
290	1	DSK050			tube clamp	
300	2	BBT106			Bolt M8x10	
310	1	RTV065			Sensor	

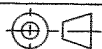
Schaal: 1:8	Dat: 23-03-06	Tubing		Formaat
Proj.	Get: M.E.	Type 35-120		A3
	Gec:	Serie R30		Revisie
JL B 31-07-06		Tekening 1 van 1		
JL A 14-07-06		XXXX	XXXX	3XXX
Get. Rev. Gewijzigd		L299		B


Revisie B | POS 320 deleted / Pos 290 switched to 210 / Pos 140 120KW rev. changed



Pos	Qty	Art.nr.	Rev.	Type	Name	Dimension
10	1	DBW016		35, 45	heat exchanger	
10	1	DBW022		65	heat exchanger	
10	1	DBW027		85	heat exchanger	
10	1	DBW032		100	heat exchanger	
10	1	DBW041		120	heat exchanger	
20	2	3000S105		35-85	Support heat exchanger	
20	4	3000S105		100, 120	Support heat exchanger	
30	4	BMV025		35-85	Nut M6	
30	8	BMV025		100, 120	Nut M6	
40	1	3045S202		35, 45	top casing	
40	1	3065S202		65	top casing	
40	1	3085S202		85	top casing	
40	1	3100S202		100	top casing	
40	1	3120S202		120	top casing	
50	2	CRS030		35-65	Sealing ring	
50	2	CRS005		85-120	Sealing ring	
60	1	DWS040			Sealing ring	
70	1	RVA095		35, 45	fan	
70	1	RVA081		65-100	fan	
70	1	RVA100		120	fan	
80	1	3045G202		35-100	flange fan-inlet heat exchanger	
80	1	3120G102	B	120	flange fan-inlet heat exchanger	
90	1	RKV012		35, 45	venturi-gasket-screws	
90	1	RKV011		65	venturi-gasket-screws	
90	1	RKV010		85, 100	venturi-gasket-screws	
90	1	RKV013		120	venturi complete	
100	1	ARP345		35-100	seal	
110	1	RKH151		35-100	gasvalve	
110	1	RKH152		120	gasvalve	
120	1	XXXX XXXX 3XXX G299				
130	1	3065G104	-	65	restriction plate	
140	2	TROOV101	-	35, 45, 85, 100	gasket	
140	3	TROOV101	-	65	gasket	
140	2	3120V101	A	120	gasket	
150	4	BRV105		35-100	toothed washer	
150	8	BRV003		120	washer 16x8,5	
160	4	BMV003		35-100	nut M5	
170	1	RKD001		65-100	pressure point	
180	3	BBI065		35-100	bolt M6x20	
190	1	VPA010		65-100	paste Kolmat	
200	1	EBT014			gasket	
210	4	BBT012		120	bolt M8x12	
220	4	BBT009		120	bolt M8x16	
230	1	RTV095			Temperature sensor	
240	1	ARO030		120	o-ring 110,72x3,53	
250	1	RKF195		120	flange elbow 3/4" complete	
260	1	FNS240		120	gas connection	
270	1	VL5050		120	permabond	
280	4	BDV042		35-100	Threaded rod m5x55	
290	1	VL5040		35-100	Locking seal	

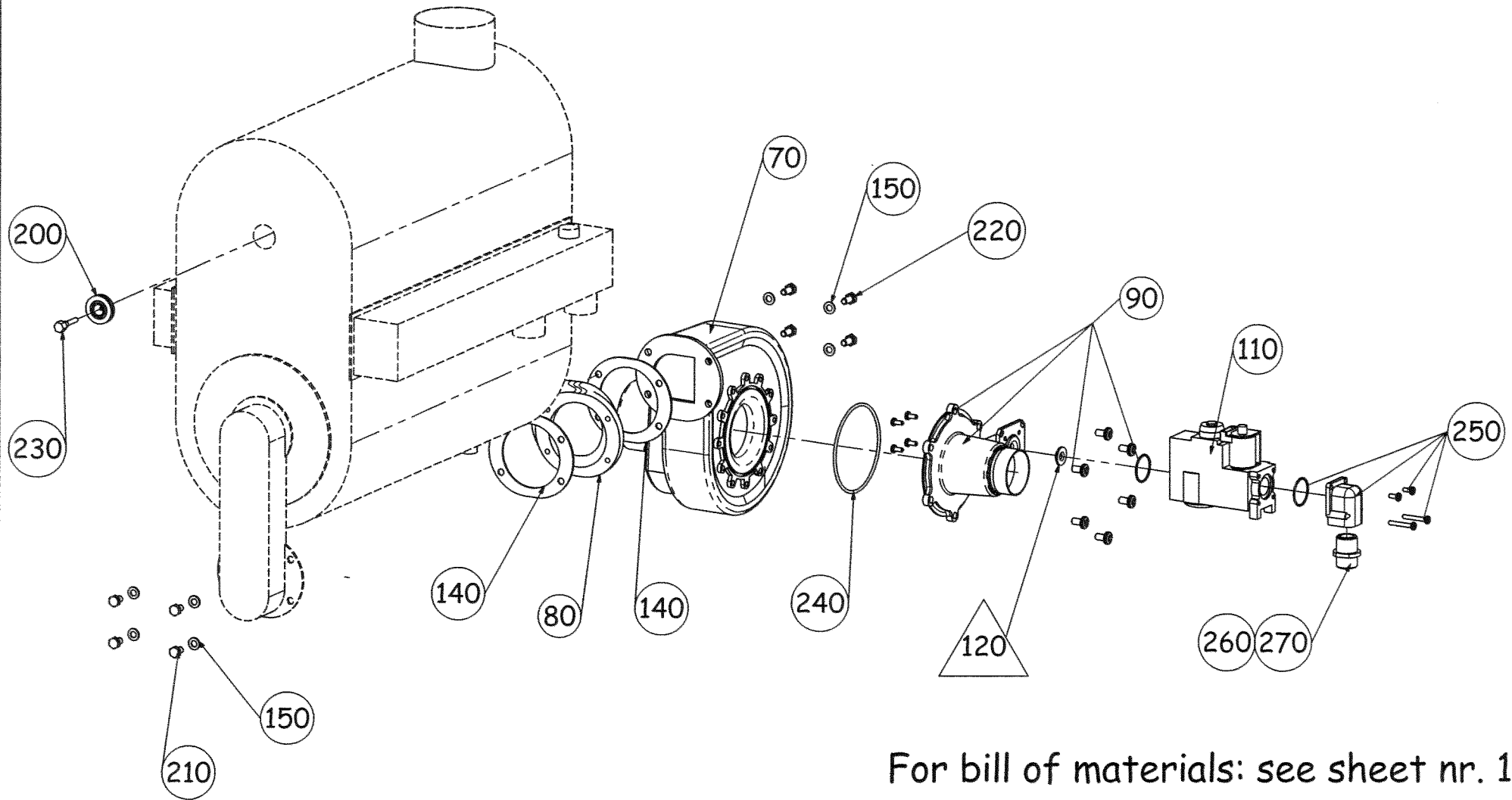
JL	A	31-07-06
JL	2	14-07-06
Get.	Rev.	Gewijzigd

Schaal: 1:6
 Proj. 
 Dat: 16-03-06
 Get: M.E.
 Gec:



Fan assembly
 Type 35-120
 Serie R30
 Tekening 1 van 2
 XXXX XXXX 3XXX V299
 Formaat A3
 Revisie A

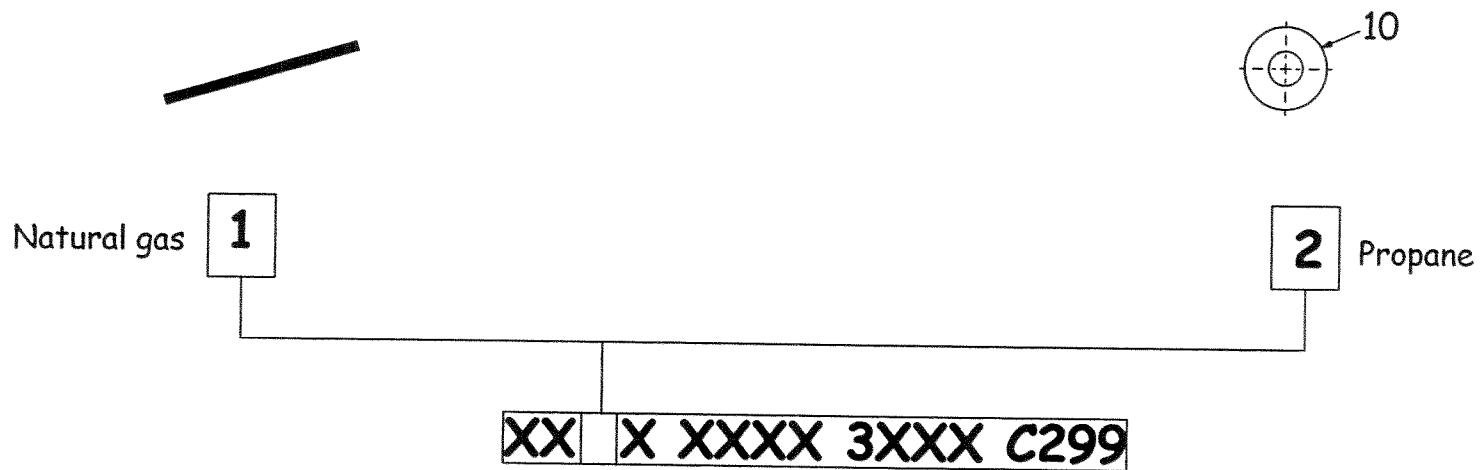
Revisie A POS 280 and 290 added / POS 10 Type changed / POS 80 changed



For bill of materials: see sheet nr. 1

			Scale: 1:5	Date: 27-03-06	Fan assembly	Formaat
			Proj.	Drawn by: M.E.	Type 120	A3
				Check by: M.E.	Series R30	Revision
JL	A	31-07-06				Drawing 2 van 2
JL	2	14-07-06				XXXX XXXX 3XXX V299
Drwn	Rev.	Date				A

Pos	Qty.	part No.	Rev	Type	Description	Size
10	1	RKR001		35-45	Restriction ring ø6,8	
10	1	RKR015		65-85	Restriction ring ø6,0	
10	1	RKR020		100	Restriction ring ø6,2	
10	1	RKR030		120	Restriction ring ø8,0	



Revision	Drwn	Rev.	Date	Scale: 1:1	Date 23-03-06	Restriction ring Type 35-120	Series R30	Formaat A3
				Proj.	Drawn by: M.E.			
						XXXX XXXX 3XXX G299		